

NEW

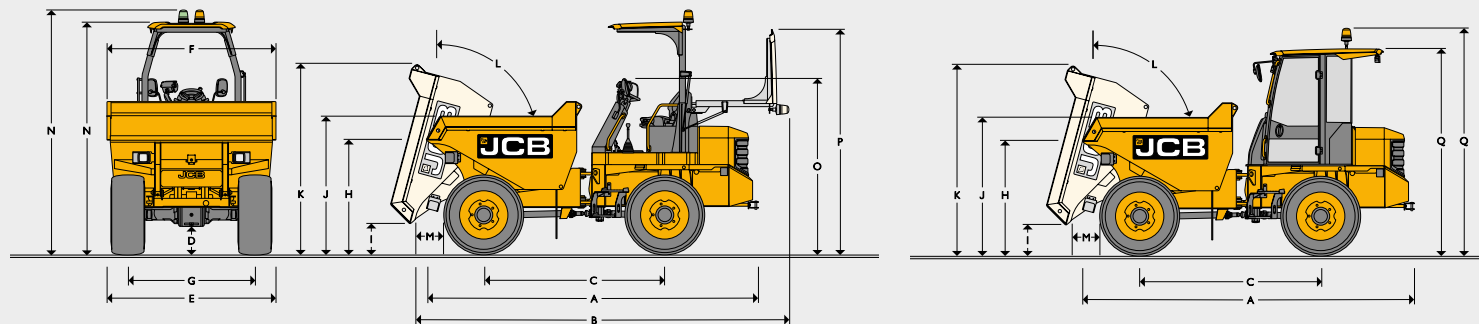


**SITE DUMPERS** | IT-|HT/3T-|FT/3T-|ST/6T-|FT/6T-|ST/7T-|HI-VIZ/9T-|FT

Gross engine power: 15.5kW – 55kW | Payload: 1000 – 9000kg



STATIC DIMENSIONS AND CAPACITIES



STATIC DIMENSIONS AND CAPACITIES

		IT-1 HT	3T-1 FT	3T-1 ST	6T-1 FT	6T-1 ST	7T-1 Hi-Viz FT	9T-1 FT
A	Overall length	mm	3095	3758	3926	4792	5052	4912
B	Overall length (ROPS or FOPS folded)	mm	3403	4192	4360	5023	5280	5141
C	Wheelbase	mm	1500	1950	1950	2480	2480	2680
D	Minimum ground clearance	mm	263	206	206	312	322	359
E	Total width (Standard/Narrow tyres)	mm	1106/980	1650	1650	2255	2395	2380
F	Skip width	mm	980	1650	1654	2310	2490	2500
G	Track width (Standard/Narrow tyres)	mm	850/782	1360	1360	1850	1850	1880
I	Height to front lip of skip (untipped)	mm	1134/*2259	1367	1467	1672	1719	1732
H	Height to front lip of skip (tipped)	mm	452/*1573	306	856	310	1122	415
J	Load over height	mm	1268/*2392	1504	1567	1791	1764	2001
K	Height over skip (tipped)	mm	1865/3037	2085	2860	2411	3674	2680
L	Skip tip angle	°	90	75	67	80	70	80
M	Discharge distance front	mm	391	568	548	604	582	526
	Discharge distance side	mm	-	-	319	-	241	-
	Turning radius to outside of skip	mm	2712	5448	4573	5900	6047	6372
	Turning radius to outside of tyres	mm	2559	4464	4464	5755	5739	6218
	Steering angle (+/-)	degrees	39	30	30	30	30	30
	Oscillation	degrees	15	10.5	10.5	10	10	10
N	Height to top of ROPS (with/without beacon)	mm	2792/2602	3016/2835	3016/2835	3354/3131	3354/3131	3570/3347
N	Height to top of ROPS/FOPS (with/without beacon)	mm	-	-	-	3354/3169	3354/3169	3570/3385
O	Height with folded ROPS	mm	1624	1857	1857	2013	2169	2319
P	Height with folded ROPS/FOPS	mm	-	-	-	2936	2936	3154
Q	Height to top of cab (with/without beacon)	mm	-	-	-	3296/3014	3296/3014	3512/3230

\*With high tip mechanism raised.

CAPACITIES

		IT-1 HT	3T-1 FT	3T-1 ST	6T-1 FT	6T-1 ST	7T-1 Hi-Viz FT	9T-1 FT
Payload	kg	1000	3000	3000	6000	6000	7000	9000
Operating weight - ISO6016 full tank of fuel & 75kg operator (ROPS)	kg	1515	2325	2450	4900	5130	-	5460
Operating weight - ISO6016 full tank of fuel & 75kg operator (ROPS/FOPS)	kg	-	-	-	4980	5210	-	5540
Operating weight - ISO6016 full tank of fuel & 75kg operator (Cab)	kg	-	-	-	5240	5470	5620	5800
Tipping type		Front tip - high tip	Front tip	Swivel tip	Front tip	Swivel tip	Front tip	Front tip
Skip capacity (fluid)	l	307	1050	930	1974	1615	2015	2435
Skip capacity (struck)	l	454	1420	1237	2537	2514	3030	3735
Skip capacity (heaped)	l	554	1723	1615	3191	3149	3520	4531

<b>ENGINE</b>		1T-1 HT	3T-1 FT	3T-1 ST	6T-1 FT	6T-1 ST	7T-1 Hi-Viz FT	9T-1 FT
Engine model		Kubota D905	Kubota D1703		JCB EcoMAX			
Capacity	cc	898	1647		4400			
Aspiration		Naturally Aspirated	Naturally Aspirated		Turbocharged			
Cylinders		3	3		4			
Max. gross power to SAE J1995/ISO 14396	kW (hp)	15.3 (20.5)	27.4 (36.8)		55 (74)			
Max. torque	Nm	55.8	111.7		400			
Emissions compliance		EU Stage 3A	EU Stage 3A		EU Stage 3B / Tier 4 Final			

<b>TRANSMISSION</b>		1-T HT	3T HYDROSTATIC	6T	7T	9T
Type		Hydrostatic pump to 4 hydraulic wheel motors	Hydrostatic motor via transfer box to front and rear axles	Powershuttle		
Tyre size		255 / 75 x 15.3 x 8 ply (option 7.0 x 12 narrow tyre)	295 / 80 x 15.3 (10 ply)	405-70-20 14PR		500-60-22.5 16PR
Drive		Hydrostatic I/I	2 / 2 (High and low range – forward and reverse) Hydrostatic – permanent 4WD	4 / 4 Forward and reverse – permanent 4WD		
Max. travel speed (unladen) 1st gear	mph (kph)	7.4 (11.9)	5.0 (8) - Tortoise	3.1 (5.0)	2.8 (4.5)	2.8 (4.5)
Max. travel speed (unladen) 2nd gear	mph (kph)	-	13.7 (22) - Hare	5.0 (8.1)	4.7 (7.5)	4.7 (7.5)
Max. travel speed (unladen) 3rd gear	mph (kph)	-	-	9.4 (15.2)	8.8 (14.1)	8.8 (14.1)
Max. travel speed (unladen) 4th gear	mph (kph)	-	-	15.9 (25.6)	15.3 (24.7)	15.3 (24.7)

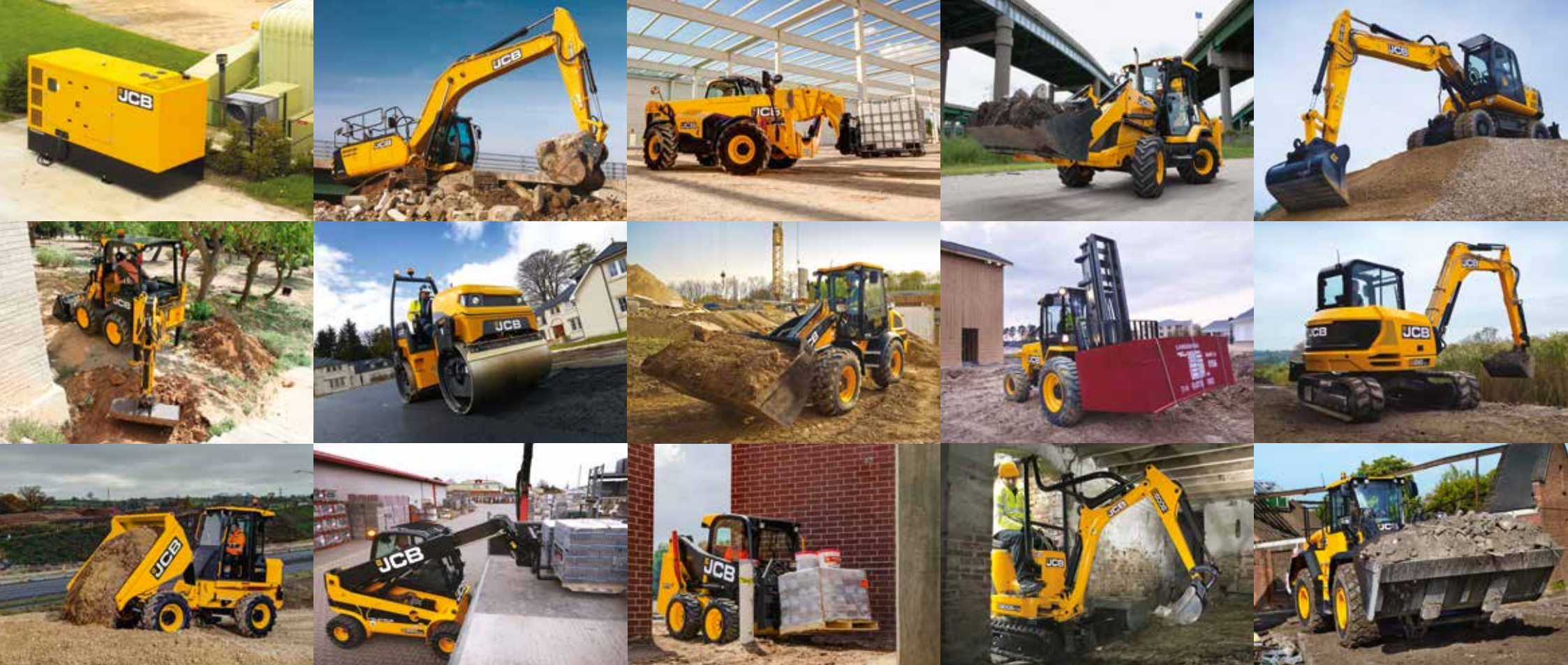
<b>ELECTRICAL SYSTEM</b>		1-T HT	3T HYDROSTATIC	6T	7T	9T
System voltage	V			12		
Alternator output	A	40	60	95		
Battery capacity	Ah	80	80	110		

<b>SERVICE FILL CAPACITIES</b>		1-T HT	3T HYDROSTATIC	6T	7T	9T
Hydraulic tank	l	28	35	60		
Fuel tank	l	30	35	65		

<b>BRAKING</b>		1-T HT	3T	6T-1, 7T-1 & 9T-1
Working brake		Hydrostatic dynamic braking on rear wheel motors	Multi-plate in-board oil immersed discs on front axle	Foot brake-oil immersed discs on front/rear
Parking brake		Hydrostatic dynamic braking on rear wheel motors	Over centre handbrake-oil immersed discs on front axle	Over centre parking brake-dry disc on gearbox

OPTIONS	1T-1	3T-1	6T-1	7T-1	9T-1
Folding ROPS frame (site and risk assessment dependent on 6T-1 & 9T-1 models, JCB recommends FOPS fitment)	●	●	+		+
Folding ROPS/FOPS Lvl II frame			●		●
Plastic yellow ROPS/FOPS roof cover			+		+
JCB SITESAFE Cab (ROPS/FOPS Level II) with heater and protective front screen			+	●	+
JCB SITESAFE Canopy (ROPS/FOPS Level II) with protective front screen			+	+	+
Front screen guard			+	+	+
Reversing alarm	●	●	●	●	●
White noise reversing alarm	+	+	+	+	+
Dual circuit braking			●	●	●
Speedometer			●	●	●
Tie-down and lifting points	●	●	●	●	●
Lap belt (high-visibility orange, emergency locking retractor)	●	●	●	●	●
Amber rotating beacon	●	●	●	●	●
LED amber beacon	+	+	+	+	+
LED green beacon with lap belt indicator (Note: not linked to engine start)	+	+	+	+	+
Start-inhibit seat switch	●	●			
Sequenced drive inhibit system; drive linked to seat switch and lap belt engagement			●	●	●
Audible alarm on initial machine movement - Horn sounds twice.			●	●	●
Skip raised audible alarm (Body up indicator)			+	+	+
Seat adjustment: fore/aft, operator weight, back angle	●	●	●	●	●
Recovery hitch	●	●	●	●	●
Full width steer column protection	●	●	●	●	●
CESAR Datatag security	■	■	■	■	■
Traction tyres	●	●	●	●	●
Narrow tyres (7.00 x 12)	+				
High visibility safety paint for steps and handrails	+	+	+	+	+
Rear view mirrors	+	+	+	+	+
Front and rear LED work lights		+	+	+	+
Three-speed-only restriction			+	+	+
Object detection system (requires front camera fitment)			+	+	+
Front camera (compliant with ISO 5006:2017)			●	+	●
Side/Rear Cameras (requires front camera fitment)			+	+	+
Road lights	+	+	+	+	+
LiveLink telematics	+	+	+	+	+
Flexible steps			+	+	+
Rental ready decals - clear skip sides	+	+	+	+	+

- Standard
- + Option
- UK only
- ◆ Cab only option



**ONE COMPANY, OVER 300 MACHINES.**

Your nearest JCB dealer

### Site Dumpers

1T-1HT/3T-1FT/3T-1ST/6T-1FT/6T-1ST/7T-1H/1VZ/9T-1FT  
 Gross engine power: 15.5kW – 55kW Payload: 1000 – 9000kg

JCB Sales Limited, Rocester, Staffordshire, United Kingdom ST14 5JP.  
 Tel: +44 (0)1889 590312 Email: [salesinfo@jcb.com](mailto:salesinfo@jcb.com)  
 Download the very latest information on this product range at: [www.jcb.com](http://www.jcb.com)

©2009 JCB Sales. All rights reserved. No part of this publication may be reproduced, stored in a retrieval system, or transmitted in any form or by any other means, electronic, mechanical, photocopying or otherwise, without prior permission from JCB Sales. All references in this publication to operating weights, sizes, capacities and other performance measurements are provided for guidance only and may vary dependant upon the exact specification of machine. They should not therefore be relied upon in relation to suitability for a particular application. Guidance and advice should always be sought from your JCB Dealer. JCB reserves the right to change specifications without notice. Illustrations and specifications shown may include optional equipment and accessories. The JCB logo is a registered trademark of J C Bamford Excavators Ltd.

