

NEW

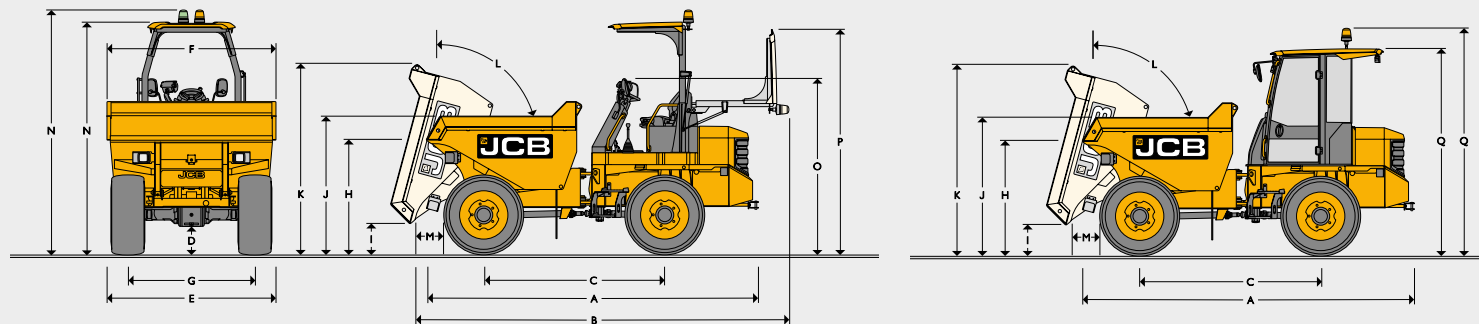


SITE DUMPERS | IT-|HT/3T-|FT/3T-|ST/6T-|FT/6T-|ST/7T-|HI-VIZ/9T-|FT

Gross engine power: 15.5kW – 55kW | Payload: 1000 – 9000kg



STATIC DIMENSIONS AND CAPACITIES



STATIC DIMENSIONS AND CAPACITIES

| | | IT-1 HT | 3T-1 FT | 3T-1 ST | 6T-1 FT | 6T-1 ST | 7T-1 Hi-Viz FT | 9T-1 FT |
|---|--|---------|------------|-----------|-----------|-----------|----------------|-----------|
| A | Overall length | mm | 3095 | 3758 | 3926 | 4792 | 5052 | 4912 |
| B | Overall length (ROPS or FOPS folded) | mm | 3403 | 4192 | 4360 | 5023 | 5280 | 5141 |
| C | Wheelbase | mm | 1500 | 1950 | 1950 | 2480 | 2480 | 2680 |
| D | Minimum ground clearance | mm | 263 | 206 | 206 | 312 | 322 | 359 |
| E | Total width (Standard/Narrow tyres) | mm | 1106/980 | 1650 | 1650 | 2255 | 2395 | 2380 |
| F | Skip width | mm | 980 | 1650 | 1654 | 2310 | 2490 | 2500 |
| G | Track width (Standard/Narrow tyres) | mm | 850/782 | 1360 | 1360 | 1850 | 1850 | 1880 |
| I | Height to front lip of skip (untipped) | mm | 1134/*2259 | 1367 | 1467 | 1672 | 1719 | 1732 |
| H | Height to front lip of skip (tipped) | mm | 452/*1573 | 306 | 856 | 310 | 1122 | 415 |
| J | Load over height | mm | 1268/*2392 | 1504 | 1567 | 1791 | 1764 | 2001 |
| K | Height over skip (tipped) | mm | 1865/3037 | 2085 | 2860 | 2411 | 3674 | 2680 |
| L | Skip tip angle | ° | 90 | 75 | 67 | 80 | 70 | 80 |
| M | Discharge distance front | mm | 391 | 568 | 548 | 604 | 582 | 526 |
| | Discharge distance side | mm | - | - | 319 | - | 241 | - |
| | Turning radius to outside of skip | mm | 2712 | 5448 | 4573 | 5900 | 6047 | 6372 |
| | Turning radius to outside of tyres | mm | 2559 | 4464 | 4464 | 5755 | 5739 | 6218 |
| | Steering angle (+/-) | degrees | 39 | 30 | 30 | 30 | 30 | 30 |
| | Oscillation | degrees | 15 | 10.5 | 10.5 | 10 | 10 | 10 |
| N | Height to top of ROPS (with/without beacon) | mm | 2792/2602 | 3016/2835 | 3016/2835 | 3354/3131 | 3354/3131 | 3570/3347 |
| N | Height to top of ROPS/FOPS (with/without beacon) | mm | - | - | - | 3354/3169 | 3354/3169 | 3570/3385 |
| O | Height with folded ROPS | mm | 1624 | 1857 | 1857 | 2013 | 2169 | 2319 |
| P | Height with folded ROPS/FOPS | mm | - | - | - | 2936 | 2936 | 3154 |
| Q | Height to top of cab (with/without beacon) | mm | - | - | - | 3296/3014 | 3296/3014 | 3512/3230 |

*With high tip mechanism raised.

CAPACITIES

| | | IT-1 HT | 3T-1 FT | 3T-1 ST | 6T-1 FT | 6T-1 ST | 7T-1 Hi-Viz FT | 9T-1 FT |
|--|----|----------------------|-----------|------------|-----------|------------|----------------|-----------|
| Payload | kg | 1000 | 3000 | 3000 | 6000 | 6000 | 7000 | 9000 |
| Operating weight - ISO6016 full tank of fuel & 75kg operator (ROPS) | kg | 1515 | 2325 | 2450 | 4900 | 5130 | - | 5460 |
| Operating weight - ISO6016 full tank of fuel & 75kg operator (ROPS/FOPS) | kg | - | - | - | 4980 | 5210 | - | 5540 |
| Operating weight - ISO6016 full tank of fuel & 75kg operator (Cab) | kg | - | - | - | 5240 | 5470 | 5620 | 5800 |
| Tipping type | | Front tip - high tip | Front tip | Swivel tip | Front tip | Swivel tip | Front tip | Front tip |
| Skip capacity (fluid) | l | 307 | 1050 | 930 | 1974 | 1615 | 2015 | 2435 |
| Skip capacity (struck) | l | 454 | 1420 | 1237 | 2537 | 2514 | 3030 | 3735 |
| Skip capacity (heaped) | l | 554 | 1723 | 1615 | 3191 | 3149 | 3520 | 4531 |

| ENGINE | | 1T-1 HT | 3T-1 FT | 3T-1 ST | 6T-1 FT | 6T-1 ST | 7T-1 Hi-Viz FT | 9T-1 FT |
|---|---------|---------------------|---------------------|---------|----------------------------|---------|----------------|---------|
| Engine model | | Kubota D905 | Kubota D1703 | | JCB EcoMAX | | | |
| Capacity | cc | 898 | 1647 | | 4400 | | | |
| Aspiration | | Naturally Aspirated | Naturally Aspirated | | Turbocharged | | | |
| Cylinders | | 3 | 3 | | 4 | | | |
| Max. gross power to SAE J1995/ISO 14396 | kW (hp) | 15.3 (20.5) | 27.4 (36.8) | | 55 (74) | | | |
| Max. torque | Nm | 55.8 | 111.7 | | 400 | | | |
| Emissions compliance | | EU Stage 3A | EU Stage 3A | | EU Stage 3B / Tier 4 Final | | | |

| TRANSMISSION | | 1-T HT | 3T HYDROSTATIC | 6T | 7T | 9T |
|--------------------------------------|-----------|---|---|---|-------------|------------------|
| Type | | Hydrostatic pump to 4 hydraulic wheel motors | Hydrostatic motor via transfer box to front and rear axles | Powershuttle | | |
| Tyre size | | 255 / 75 x 15.3 x 8 ply (option 7.0 x 12 narrow tyre) | 295 / 80 x 15.3 (10 ply) | 405-70-20 14PR | | 500-60-22.5 16PR |
| Drive | | Hydrostatic I/I | 2 / 2 (High and low range – forward and reverse) Hydrostatic – permanent 4WD | 4 / 4 Forward and reverse – permanent 4WD | | |
| Max. travel speed (unladen) 1st gear | mph (kph) | 7.4 (11.9) | 5.0 (8) - Tortoise | 3.1 (5.0) | 2.8 (4.5) | 2.8 (4.5) |
| Max. travel speed (unladen) 2nd gear | mph (kph) | - | 13.7 (22) - Hare | 5.0 (8.1) | 4.7 (7.5) | 4.7 (7.5) |
| Max. travel speed (unladen) 3rd gear | mph (kph) | - | - | 9.4 (15.2) | 8.8 (14.1) | 8.8 (14.1) |
| Max. travel speed (unladen) 4th gear | mph (kph) | - | - | 15.9 (25.6) | 15.3 (24.7) | 15.3 (24.7) |

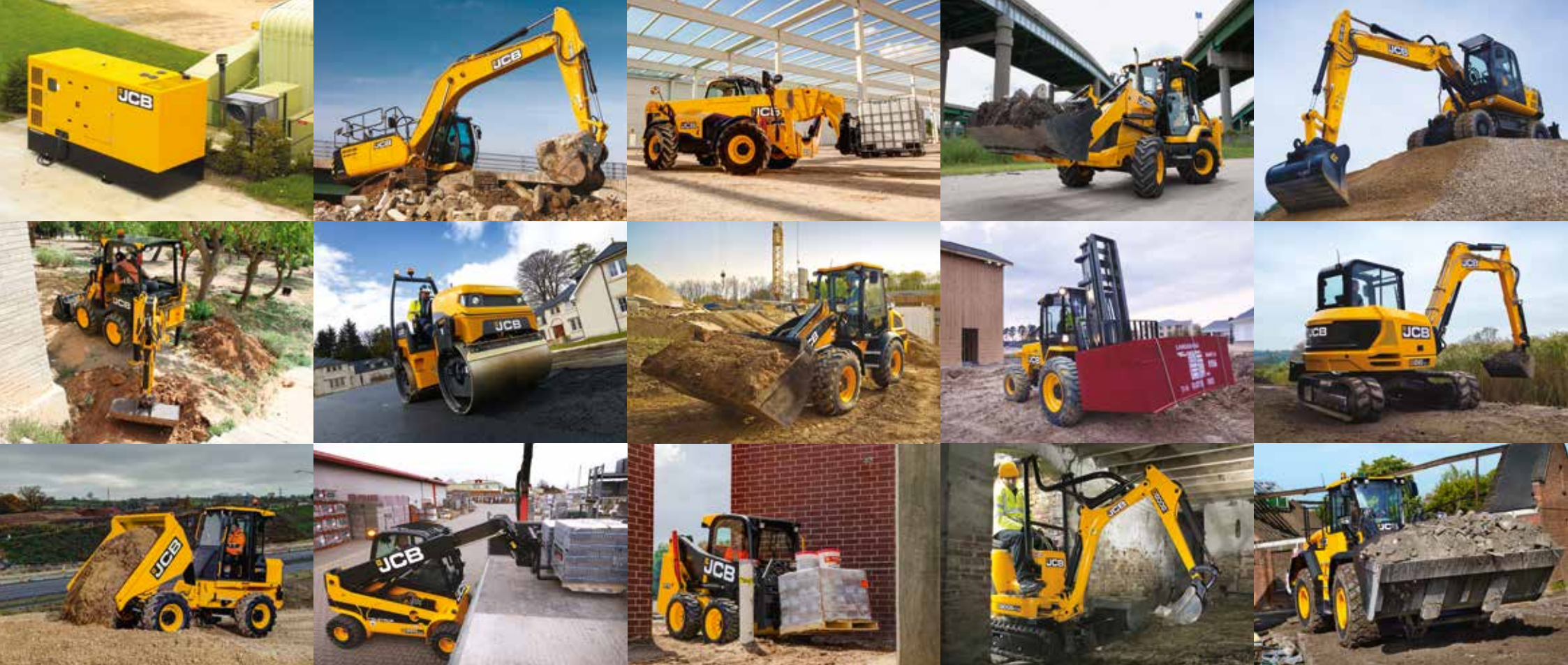
| ELECTRICAL SYSTEM | | 1-T HT | 3T HYDROSTATIC | 6T | 7T | 9T |
|--------------------------|----|--------|----------------|----|-----|----|
| System voltage | V | | | 12 | | |
| Alternator output | A | 40 | 60 | | 95 | |
| Battery capacity | Ah | 80 | 80 | | 110 | |

| SERVICE FILL CAPACITIES | | 1-T HT | 3T HYDROSTATIC | 6T | 7T | 9T |
|--------------------------------|---|--------|----------------|----|----|----|
| Hydraulic tank | l | 28 | 35 | | 60 | |
| Fuel tank | l | 30 | 35 | | 65 | |

| BRAKING | | 1-T HT | 3T | 6T-1, 7T-1 & 9T-1 |
|----------------|--|--|--|---|
| Working brake | | Hydrostatic dynamic braking on rear wheel motors | Multi-plate in-board oil immersed discs on front axle | Foot brake-oil immersed discs on front/rear |
| Parking brake | | Hydrostatic dynamic braking on rear wheel motors | Over centre handbrake-oil immersed discs on front axle | Over centre parking brake-dry disc on gearbox |

| OPTIONS | 1T-1 | 3T-1 | 6T-1 | 7T-1 | 9T-1 |
|--|------|------|------|------|------|
| Folding ROPS frame (site and risk assessment dependent on 6T-1 & 9T-1 models, JCB recommends FOPS fitment) | ● | ● | + | | + |
| Folding ROPS/FOPS Lvl II frame | | | ● | | ● |
| Plastic yellow ROPS/FOPS roof cover | | | + | | + |
| JCB SITESAFE Cab (ROPS/FOPS Level II) with heater and protective front screen | | | + | ● | + |
| JCB SITESAFE Canopy (ROPS/FOPS Level II) with protective front screen | | | + | + | + |
| Front screen guard | | | + | + | + |
| Reversing alarm | ● | ● | ● | ● | ● |
| White noise reversing alarm | + | + | + | + | + |
| Dual circuit braking | | | ● | ● | ● |
| Speedometer | | | ● | ● | ● |
| Tie-down and lifting points | ● | ● | ● | ● | ● |
| Lap belt (high-visibility orange, emergency locking retractor) | ● | ● | ● | ● | ● |
| Amber rotating beacon | ● | ● | ● | ● | ● |
| LED amber beacon | + | + | + | + | + |
| LED green beacon with lap belt indicator (Note: not linked to engine start) | + | + | + | + | + |
| Start-inhibit seat switch | ● | ● | | | |
| Sequenced drive inhibit system; drive linked to seat switch and lap belt engagement | | | ● | ● | ● |
| Audible alarm on initial machine movement - Horn sounds twice. | | | ● | ● | ● |
| Skip raised audible alarm (Body up indicator) | | | + | + | + |
| Seat adjustment: fore/aft, operator weight, back angle | ● | ● | ● | ● | ● |
| Recovery hitch | ● | ● | ● | ● | ● |
| Full width steer column protection | ● | ● | ● | ● | ● |
| CESAR Datatag security | ■ | ■ | ■ | ■ | ■ |
| Traction tyres | ● | ● | ● | ● | ● |
| Narrow tyres (7.00 x 12) | + | | | | |
| High visibility safety paint for steps and handrails | + | + | + | + | + |
| Rear view mirrors | + | + | + | + | + |
| Front and rear LED work lights | | + | + | + | + |
| Three-speed-only restriction | | | + | + | + |
| Object detection system (requires front camera fitment) | | | + | + | + |
| Front camera (compliant with ISO 5006:2017) | | | ● | + | ● |
| Side/Rear Cameras (requires front camera fitment) | | | + | + | + |
| Road lights | + | + | + | + | + |
| LiveLink telematics | + | + | + | + | + |
| Flexible steps | | | + | + | + |
| Rental ready decals - clear skip sides | + | + | + | + | + |

- Standard
- + Option
- UK only
- ◆ Cab only option



ONE COMPANY, OVER 300 MACHINES.

Your nearest JCB dealer

Site Dumpers

1T-1HT/3T-1FT/3T-1ST/6T-1FT/6T-1ST/7T-1H/1VZ/9T-1FT
 Gross engine power: 15.5kW – 55kW Payload: 1000 – 9000kg

JCB Sales Limited, Rocester, Staffordshire, United Kingdom ST14 5JP.
 Tel: +44 (0)1889 590312 Email: salesinfo@jcb.com
 Download the very latest information on this product range at: www.jcb.com

©2009 JCB Sales. All rights reserved. No part of this publication may be reproduced, stored in a retrieval system, or transmitted in any form or by any other means, electronic, mechanical, photocopying or otherwise, without prior permission from JCB Sales. All references in this publication to operating weights, sizes, capacities and other performance measurements are provided for guidance only and may vary dependant upon the exact specification of machine. They should not therefore be relied upon in relation to suitability for a particular application. Guidance and advice should always be sought from your JCB Dealer. JCB reserves the right to change specifications without notice. Illustrations and specifications shown may include optional equipment and accessories. The JCB logo is a registered trademark of J C Bamford Excavators Ltd.

